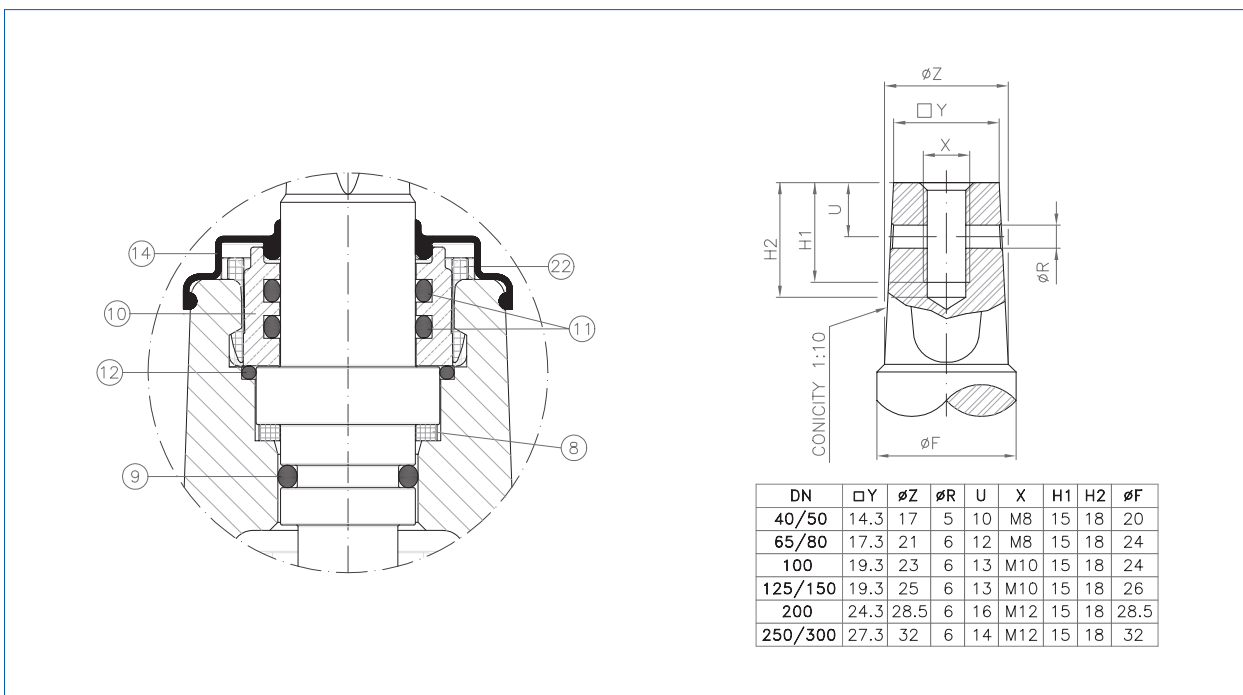
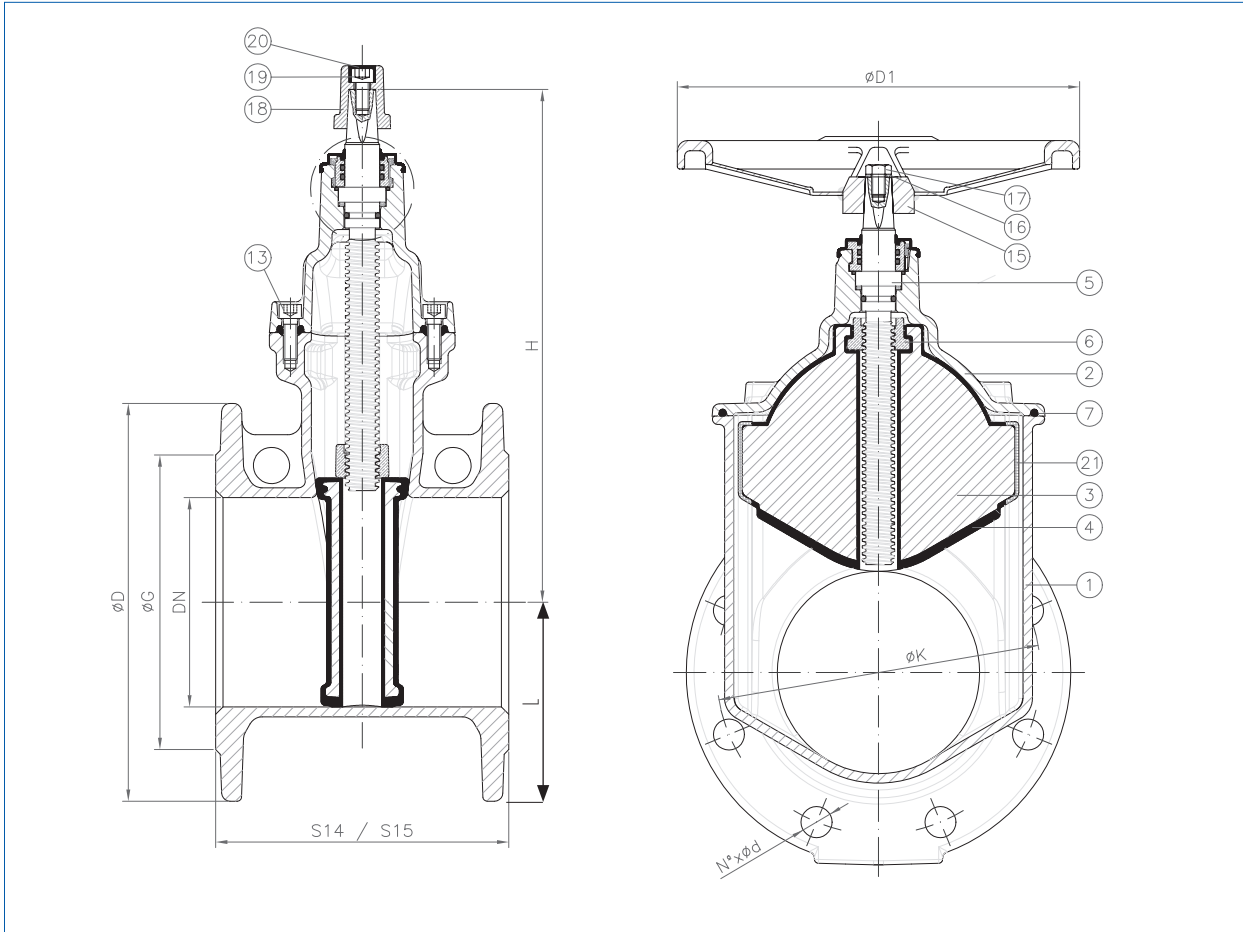


F4/F5 - DN40/300 - PN10/16



F4/F5 - DN350/600 - PN10/16

